

**KIN LONG 坚朗**

一切为了改善人类居住环境



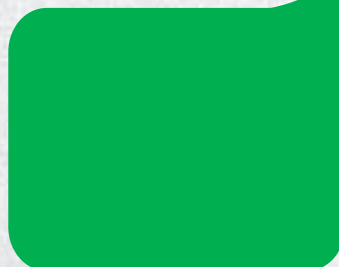
**Luze Tech**

**坚朗•路泽**

**Kinlong•Luze**

**河北路泽新材料科技有限公司**

Hebei Luze New Material Technology Co.,Ltd.



# CONTENTS

1

About us

2

Products

3

R&D

4

Quality Control

5

Achievement

01



## About us

---

专业，让建筑更安全

Professionalism makes buildings more secure

About us

KINLONG 坚朗

一切为了改善人类居住环境

专业，让建筑更安全

Professionalism makes buildings more secure

坚

朗

五

金

Luze Technology  
is a holding subsidiary  
of Kinlong Hardware.

[www.kinlong.com](http://www.kinlong.com)



About us

**KIN LONG 坚朗**

一切为了改善人类居住环境

Unique value can only be created by professionalism,  
Speculation has no future



## About us

**KIN LONG 坚朗**

一切为了改善人类居住环境



**Stock name: 坚朗五金** (Kinlong Hardware)

**Stock code : 002791**

- ◆ Kinlong was established in June, 2003.
- ◆ Kinlong became the first listed company in the A-share market in the architectural hardware segmentation field on March 29, 2016.
- ◆ The tenet of Kinlong is **to improve the living environment of human beings.**
- ◆ The strategic goal of Kinlong is to become **the world's largest integrated supplier of building accessories.**



# About us

坚朗五金  
sz002791



**28.00** ↑

0.24 0.86%

12-12 09:19:39

开盘:0.00

昨收:27.76

最高:0.00

换手:0.00%

成交:0.00万手

市值:99.09亿

最低:0.00

振幅:0.00%

分时

日K

周K

月K





About us

专业，让建筑更安全

Professionalism makes buildings more secure



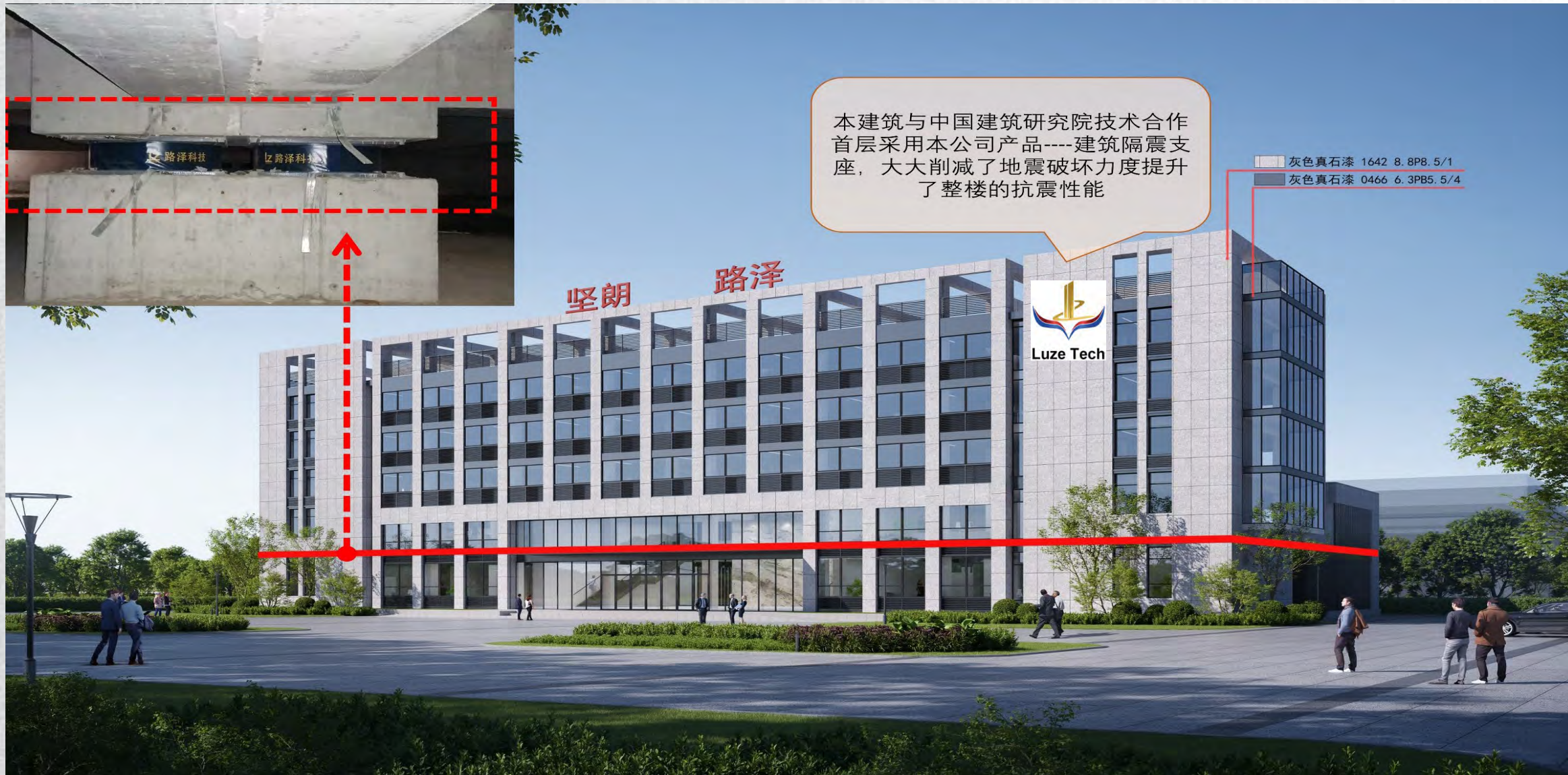


About us

专业，让建筑更安全

Professionalism makes buildings more secure

Luze has a technical cooperation with the research on Chinese architecture on this building. Our product - building isolation rubber bearings are adopted on the first floor of this house.





# Data Luze



**China National High-tech Enterprises**

Certification no.:GR202113003409



Covering Area

667000 square meter;



**CHINA AID**

**Professional Supplier**

**on Seismic isolation & shock absorption products for  
Chinese Government's Foreign Aid Projects**



Staffs: 236

Technicist : 22

Administrative staff : 60



**BEIJING 2022**



**Professional Supplier**

**on Seismic isolation & shock absorption products for  
Venues of the 2022 Winter Olympics**



Hebei Luze New Materials Technology Co.,Ltd.

Hengshui Luze Metal Products Co.,Ltd.

Yunnan Luze New Materials Technology Co.,Ltd.



Data Luze



China National High-tech Enterprises

Certification no.: GR202113003409



# 高新技术企业 证书

企业名称：河北路泽新材料科技有限公司

证书编号：GR202113003409

发证时间：2021年12月01日

有效期：三年

批准机关：





# Data Luze



The stadium project in Côte d'Ivoire aided by the Chinese government.



The Cape Coast Stadium Project in Ghana aided by the Chinese government.



Belarus Standard Swimming Pool Project aided by the Chinese government.



CHINA AID

## Professional Supplier

on Seismic isolation & shock absorption products for Chinese Government's Foreign Aid Projects



**Data Luze**



**Professional Supplier**

on Seismic isolation & shock absorption products for Venues of the 2022 Winter Olympics



Zhangjiakou Airport



National Speed Skating Oval.

Wukesong Ice Sports Center





Certificate no.,,  
31624E10202R1M

Issuing date:  
June 23<sup>rd</sup>.2021

Valid until:  
June 10th.2027

Issuing Organization:  
CEOC



Certificate no.,,  
31624S10183R1M

Issuing date:  
June 23<sup>rd</sup>.2021

Valid until:  
June 10th.2027

Issuing Organization:  
CEOC



## Services & solutions

---

专业，让建筑更安全

**Professionalism** makes buildings more secure



# Services & solutions

01



Seismic Isolation Product  
Service Solution



02



Vibration Damping Product  
Service Solution

03



Seismic Control Product  
Service solution



# Services & solutions

## Seismic Isolation Product

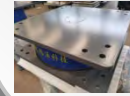
**LNR**

Linear Natural Rubber bearing



**LRB**

Lead rubber bearing



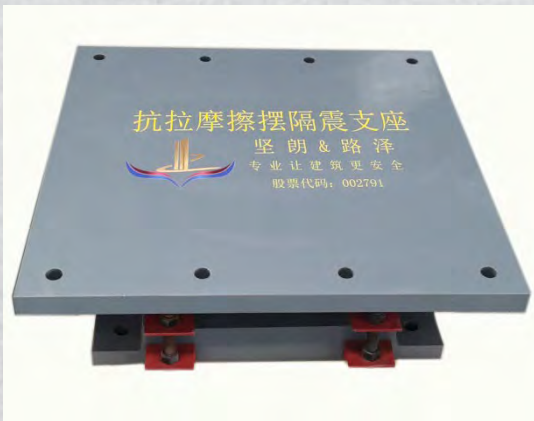
**HDR**

High Damping Rubber bearing



**FPB/FPS**

Friction Pendulum System/  
Friction Pendulum isolation bearing





# Services & solutions

## Seismic Isolation Product



### LNR Linear Natural Rubber bearing

It can isolate about 80% of the seismic force (the seismic performance of isolated buildings is approximately 8 to 10 times that of traditional buildings), ensuring the normal use function of the building as much as possible. .

It is applicable to all isolated buildings, including but not limited to the following situations:

Lifeline projects:

Schools, kindergartens, hospitals, elderly care institutions, children's welfare institutions, emergency command centers, emergency shelters, radio and television, etc.

Major projects:

Airport terminals, museums, exhibition halls, stadiums, LNG (liquefied natural gas) storage tanks, nuclear power plants, etc.

Prefabricated building structures, seismic reinforcement and renovation projects, etc.

# Services & solutions

## Seismic Isolation Product



## LRB

Lead Rubber Bearing



Isolation bearings can extend the natural vibration period of the structure and increase the structural damping. They can isolate about 80% of the seismic force (the seismic performance of isolated buildings is approximately 8 to 10 times that of traditional buildings), ensuring the normal use function of the building as much as possible. .

It is applicable to all isolated buildings, including but not limited to the following situations:

Lifeline projects:

Schools, kindergartens, hospitals, elderly care institutions, children's welfare institutions, emergency command centers, emergency shelters, radio and television, etc.

Major projects:

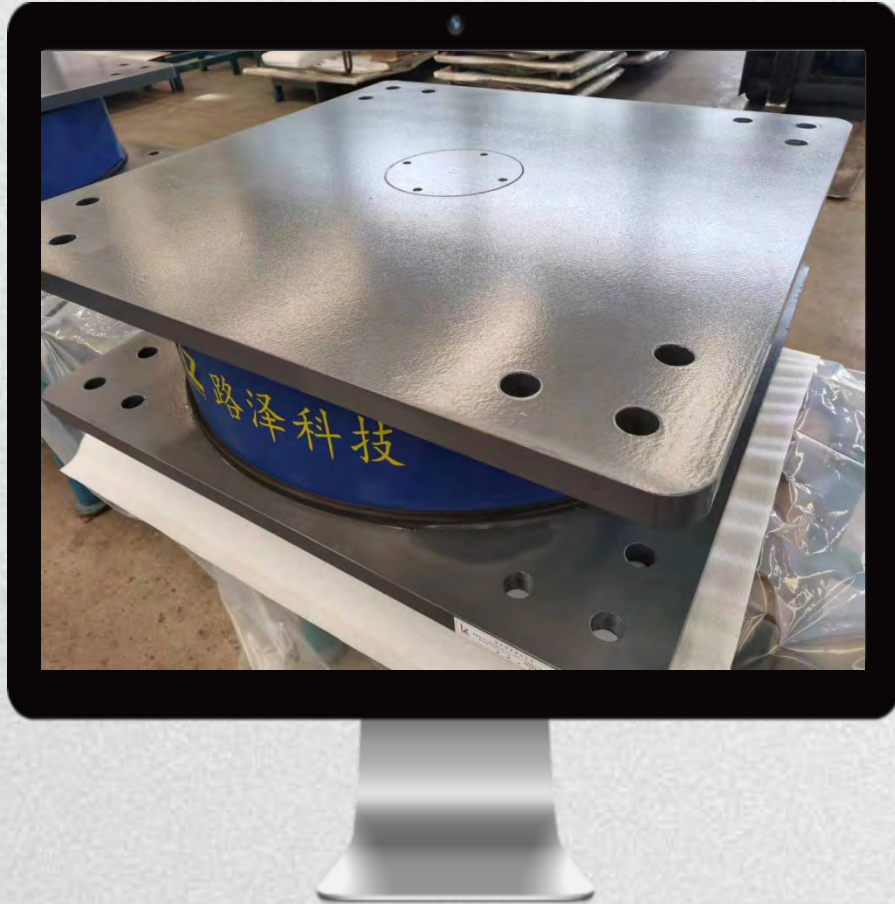
Airport terminals, museums, exhibition halls, stadiums, LNG (liquefied natural gas) storage tanks, nuclear power plants, etc.

Prefabricated building structures, seismic reinforcement and renovation projects, etc.



# Services & solutions

## Seismic Isolation Product



## HDR High Damping Rubber bearing



Isolation bearings can extend the natural vibration period of the structure and increase the structural damping. They can isolate about 80% of the seismic force (the seismic performance of isolated buildings is approximately 8 to 10 times that of traditional buildings), ensuring the normal use function of the building as much as possible. .



It is applicable to all isolated buildings, including but not limited to the following situations:

Lifeline projects:

Schools, kindergartens, hospitals, elderly care institutions, children's welfare institutions, emergency command centers, emergency shelters, radio and television, etc.

Major projects:

Airport terminals, museums, exhibition halls, stadiums, LNG (liquefied natural gas) storage tanks, nuclear power plants, etc.

Prefabricated building structures, seismic reinforcement and renovation projects, etc.





# Services & solutions

Seismic Isolation Product



## FPB/FPS Friction Pendulum System/ Friction Pendulum isolation bearing

Some advantages of friction pendulum isolation bearings are as follows:

It has stable hysteretic performance and excellent durability. It boasts high reliability under the influence of factors such as temperature and long-term loads.

The period of the superstructure can be controlled. It can adjust the lateral stiffness by itself and reset automatically.

The vibration period is independent of the mass carried by the structure.

It is applicable to all isolated buildings, including but not limited to the following situations:

Lifeline projects:

Schools, kindergartens, hospitals, elderly care institutions, children's welfare institutions, emergency command centers, emergency shelters, radio and television, etc.

Major projects:

Airport terminals, museums, exhibition halls, stadiums, LNG (liquefied natural gas) storage tanks, nuclear power plants, etc.

Prefabricated building structures, seismic reinforcement and renovation projects, etc.



# Services & solutions

## Vibration Damping Product

**VFD**

Viscous Fluid Damper



**MYD**

Metal Yielding Dampers



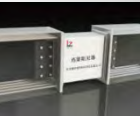
**BRB**

Buckling-Restrained Braces



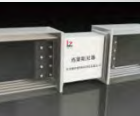
**FD**

Frictional Dampers



**CBD**

Coupling Beam Dampers



# Services & solutions

## Vibration Damping Product



### VFD

#### Viscous Fluid Damper



It can effectively consume energy, reduce the seismic and wind-induced vibration responses of buildings, and has wide engineering applicability. When an earthquake occurs, the damper maximally absorbs and consumes the impact energy of the earthquake on the building structure, greatly alleviating the impact and damage caused by the earthquake to the building structure, which is equivalent to installing a "safety airbag" on the building or bridge.

Seismic resistance of building structures: When an earthquake occurs, the damper maximally absorbs and consumes the impact energy of the earthquake on the building structure, alleviates the impact and damage caused by the earthquake to the building structure, and ensures the safety of the building. Structural vibrations caused by earthquakes, wind-induced vibrations, moving loads, and dynamic equipment, multi-story and high-rise buildings in various intensity zones.



# Services & solutions

## Vibration Damping Product



### BRB

#### Buckling-Restrained Braces



It has the characteristics of strong energy dissipation capacity and excellent hysteretic performance. On the one hand, buckling-restrained braces can avoid the defect of significant difference in tensile and compressive bearing capacity of ordinary braces. On the other hand, it has the energy dissipation capacity of a metal damper and can act as a "fuse" in the structure, making the main structure basically within the elastic range.

BRB is often used in large-span and heavy-load structures to add stiffness to the structure, such as in new main structures and reinforcements of hospitals, schools, airports, covered playgrounds, high-rise buildings, stadiums, airports and stations, cultural and health facilities, exhibition centers, industrial plants, etc.



# Services & solutions

## Vibration Damping Product



### MYD

#### Metal Yielding Dampers



Metal yield-type dampers utilize the high energy dissipation characteristics of steel and adopt soft steel with low yield strength and high ductility as the core material of the dampers. They use the inelastic characteristics of special soft steel plates after yielding to dissipate the energy input from earthquakes and other external sources into the structure.



The seismic (vibration) performance is not affected by temperature and it is currently a more cost-effective product among various types of energy dissipation and shock absorption devices.



It can be used in various structural forms  
New buildings, shock absorption and reinforcement, concrete structures, steel structures and heavy wood structures, etc.

#### Projects

Civil buildings, commercial and public buildings, industrial plant buildings, lifeline projects, etc.



# Services & solutions

## Vibration Damping Product



### FD

#### Frictional Dampers



A kind of damper that dissipates seismic energy by converting friction force into heat energy through the mutual friction between polymer composite friction materials and friction steel plates, belonging to the displacement-dependent energy dissipation and shock absorption device.



#### Civil buildings

Such as multi-story and high-rise and large-span building structures of residences, office buildings, shopping malls, etc.;



#### Lifeline projects

Such as hospitals, schools, urban functional buildings, etc.;

#### Industrial buildings

Such as factories, towers, equipment, etc.;

# Services & solutions

## Vibration Damping Product



### CBD

#### Coupling Beam Dampers



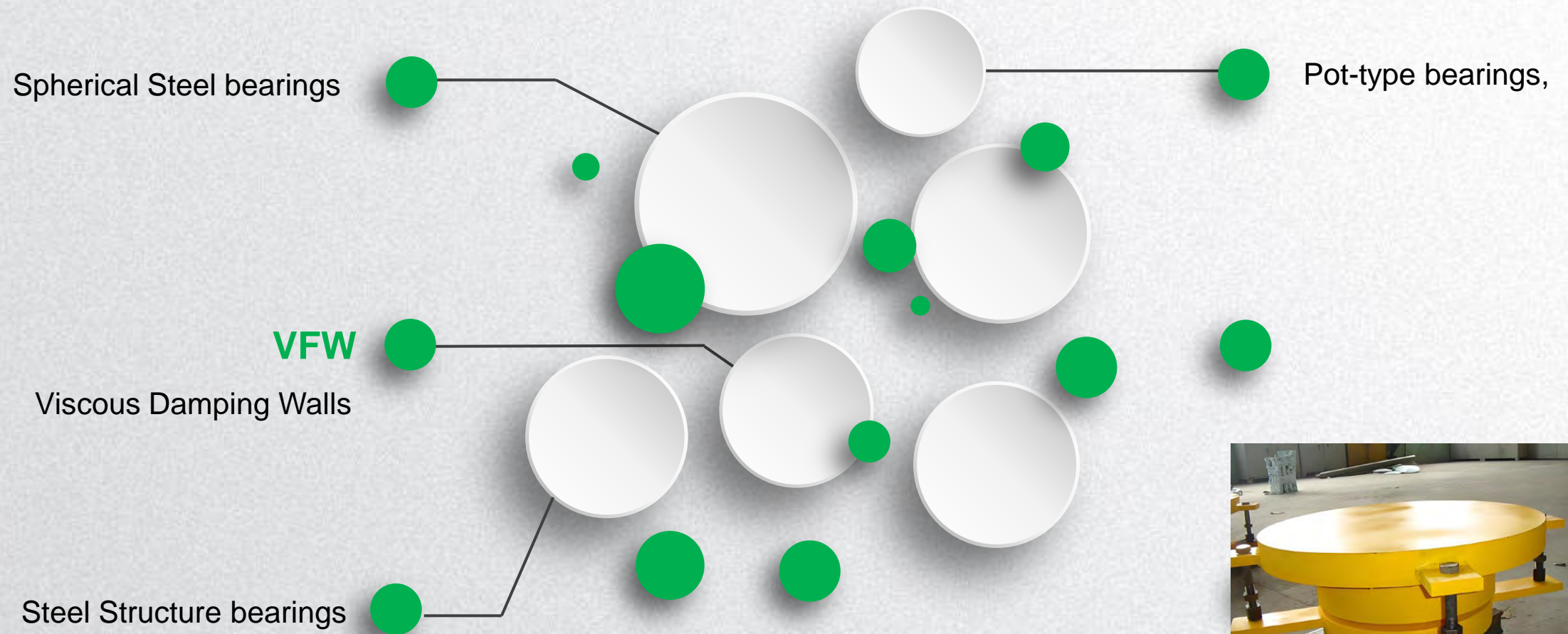
The coupling beam damper, which is installed at the position of the coupling beam, is used to replace the traditional concrete coupling beam in the concrete coupled shear wall. It can greatly improve the ductility and energy dissipation capacity of the coupling beam.



The coupling beam damper has many advantages, such as controllable yield bearing capacity, easy replacement after an earthquake, no occupation of the usable space, and excellent seismic performance. In residential projects adopting the concrete shear wall structural system, it is widely applied.

# Services & solutions

## Vibration Damping Product





# Services & solutions

Vibration Damping Product



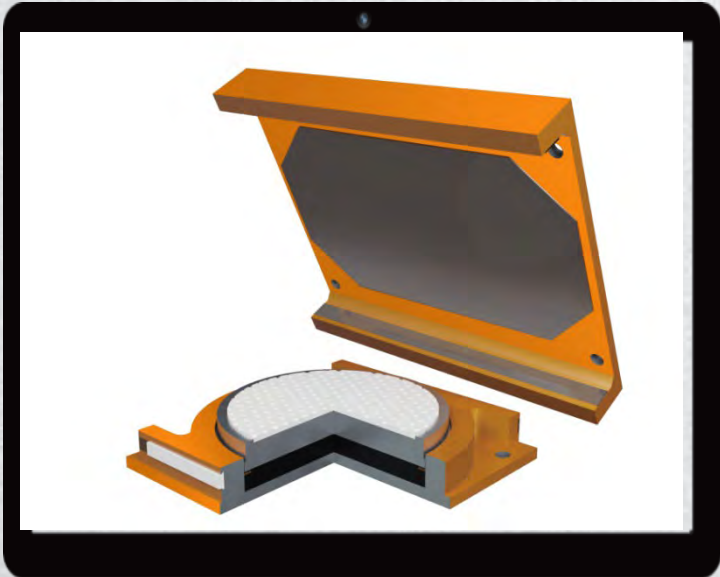
Lead Viscoelastic Dampers



**VFW** Viscous fluid Walls

# Services & solutions

Vibration Damping Product



Pot-type bearings,



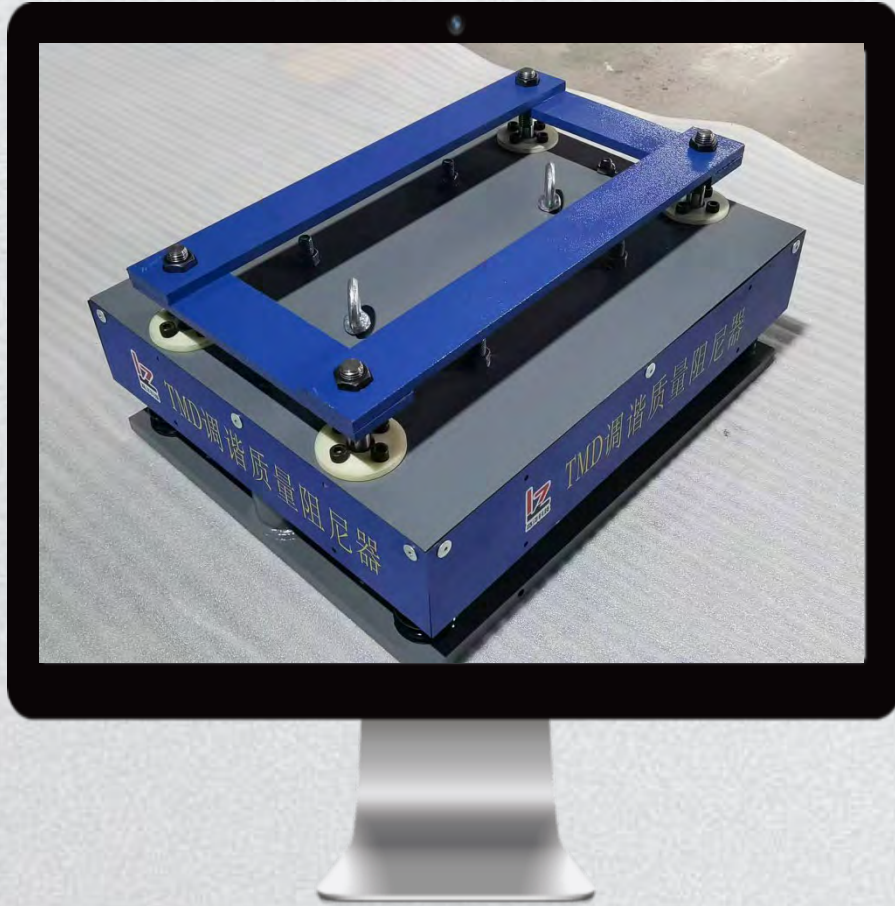
Spherical Steel bearings



Steel Structure bearings

# Services & solutions

## Seismic Control Product



## TMD

### Tuned Mass Dampers



It is generally supported or suspended on the structure. When the structure vibrates under the external excitation, it drives the TMD system to vibrate together. The inertia force generated by the TMD system reacts on the structure. Tune this inertia force to make it have a coordinating effect on the vibration of the main structure, thereby reducing the dynamic response of the structure, improving the comfort of the structure, and reducing the fatigue damage of the structure. Currently, the widely used damping units include viscous damping units and eddy current damping units..



#### Tall structures

Such as sightseeing towers, skyscrapers, TV stations, chimneys, etc.



#### Long-span structures

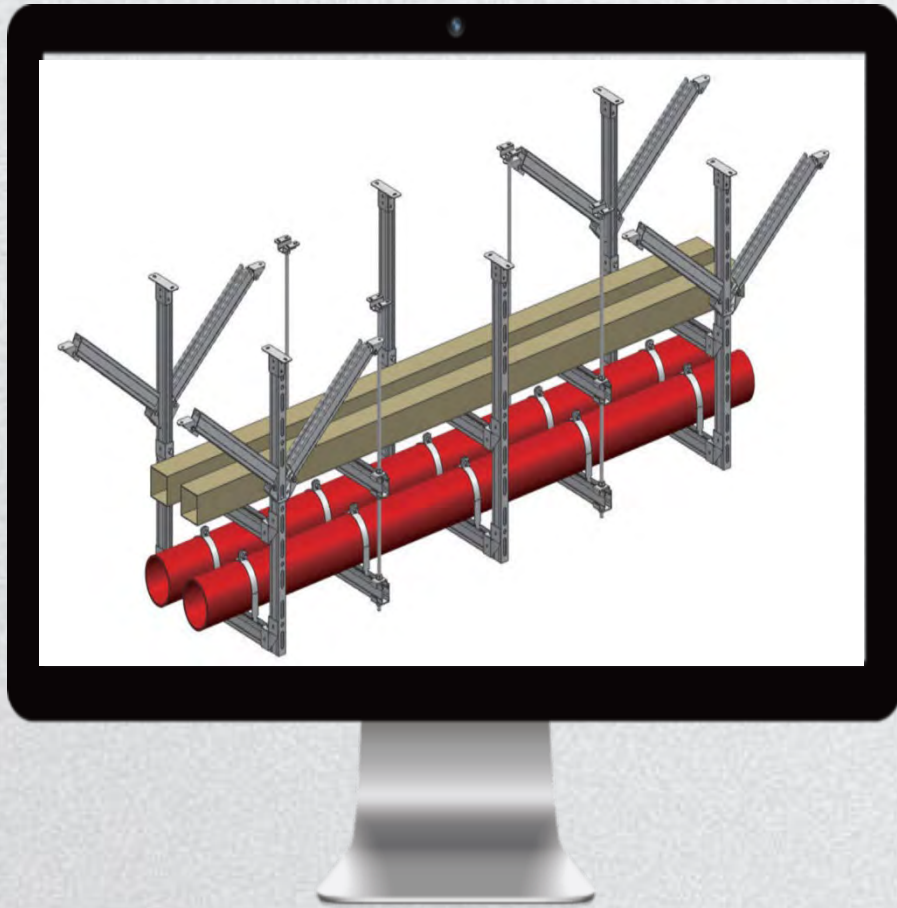
Such as pedestrian bridges, sports grandstands, large bridges, etc.

#### Floors in special buildings

Mechanical and electrical plants, gymnasium floors, etc.

# Services & solutions

## Seismic bracing and suspension brackets



Seismic bracing and suspension brackets



Seismic bracing and suspension systems are support and suspension products used to support mechanical and electrical pipeline equipment such as water pipes, air ducts, cable trays, etc., and provide seismic support. They are firmly connected to the building structure and are seismic support facilities with seismic forces as the main load.

Seismic bracing and suspension systems can resist the impact of earthquakes in both the longitudinal and lateral directions, and can minimize the damage to equipment and the destruction to people's lives and property under unpredictable natural disasters such as earthquakes. Seismic bracing and suspension systems can also better cope with sudden accidents such as earthquakes (secondary disasters) and reduce the damage to equipment. It can be said that seismic bracing and suspension systems can effectively avoid secondary disasters caused by earthquakes.

For the building mechanical and electrical engineering in areas where the seismic fortification intensity is 6 degrees or above, seismic design must be carried out;

Pipeline systems for domestic water supply, fire protection, heating, air-conditioning water, etc., with a nominal diameter larger than DN65;  
Equipment with a gravity greater than 1.8KN in suspended pipelines or suspended pipelines with hanging rods whose calculated length exceeds 300mm;

Electrical conduits with an inner diameter of not less than 60mm;  
Cable trays, cable troughs, busways with a gravity of not less than 150N/m;

Ventilation, air-conditioning and other systems with a rectangular cross-sectional area of not less than 0.38 square meters and a circular diameter of not less than 0.7m;

All air ducts for smoke prevention and exhaust, air ducts for accident ventilation and related equipment;

Gas pipelines with an inner diameter of not less than 25mm;

In buildings with a height greater than 50m, seismic supports should be set up for gas pipelines;

Common antennas installed on the roof, etc.



R&D

---

专业，让建筑更安全

Professionalism makes buildings more secure



## R&D

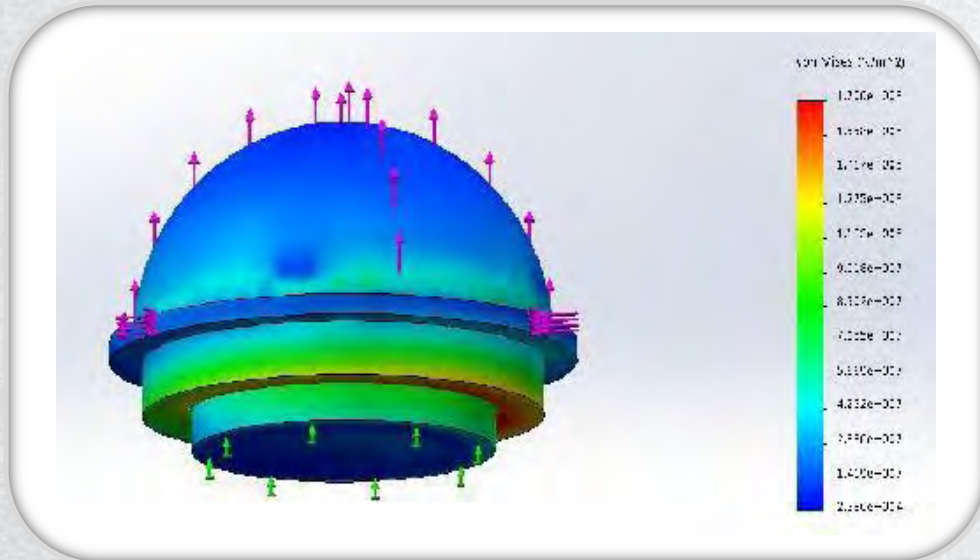
The leaders of the company took a commemorative photo with Academician Zhou Fulin (2nd Left), an expert in engineering structure and earthquake resistance and disaster mitigation.





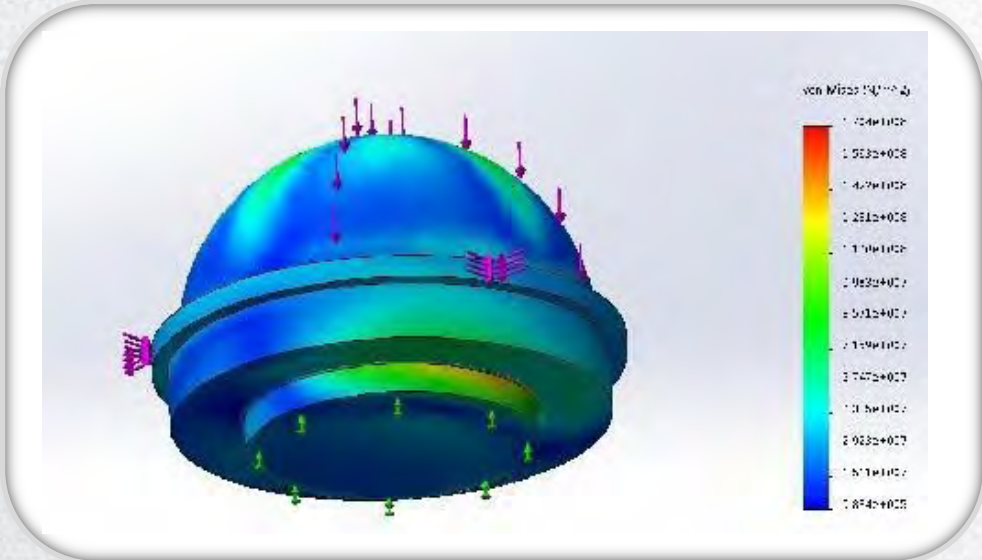
# R&D

Finite element stress analysis of compression, tension and shear.



• Analysis of the tension-shear working condition of the anti-seismic spherical steel bearing (with structure).

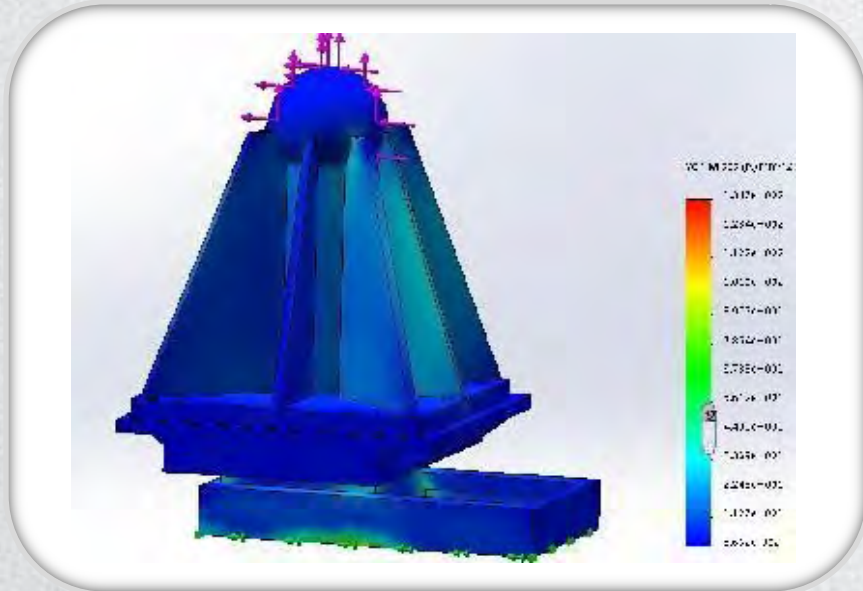
Analysis of the compression-shear working condition of the anti-seismic spherical steel bearing (with structure). •••





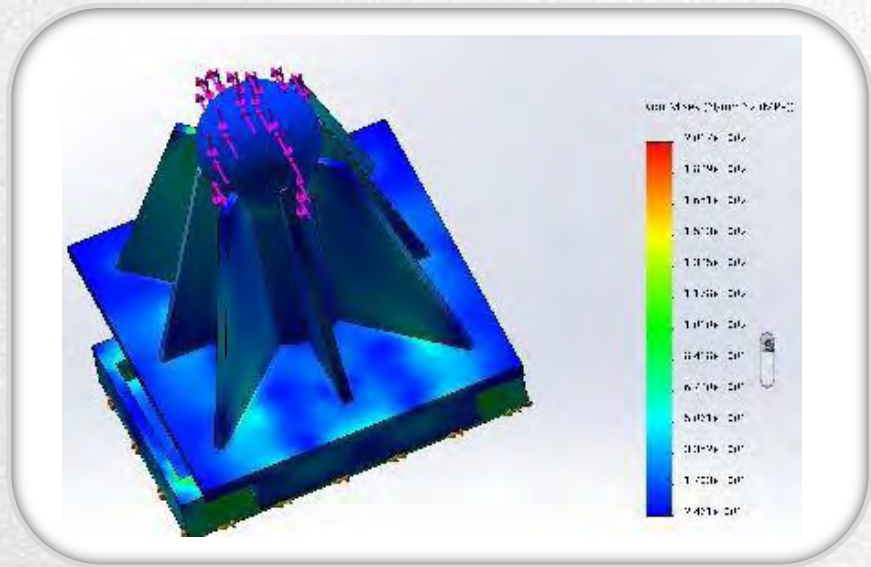
# R&D

Finite element stress analysis of compression, tension and shear.



• Analysis of the Tension-Shear Working Condition of the Anti-seismic Spherical Steel Bearing (with Structure).

Analysis of the compression-shear working condition of the anti-seismic spherical steel bearing (with structure).





# R&D

Finite element stress analysis of compression, tension and shear.



Hebei Luze has a professional R & D team, which can conduct finite element analysis (with structures) on seismic isolation and reduction products, making the product design more reasonable and the building structures safer.

# Patent



03



# Quality Control

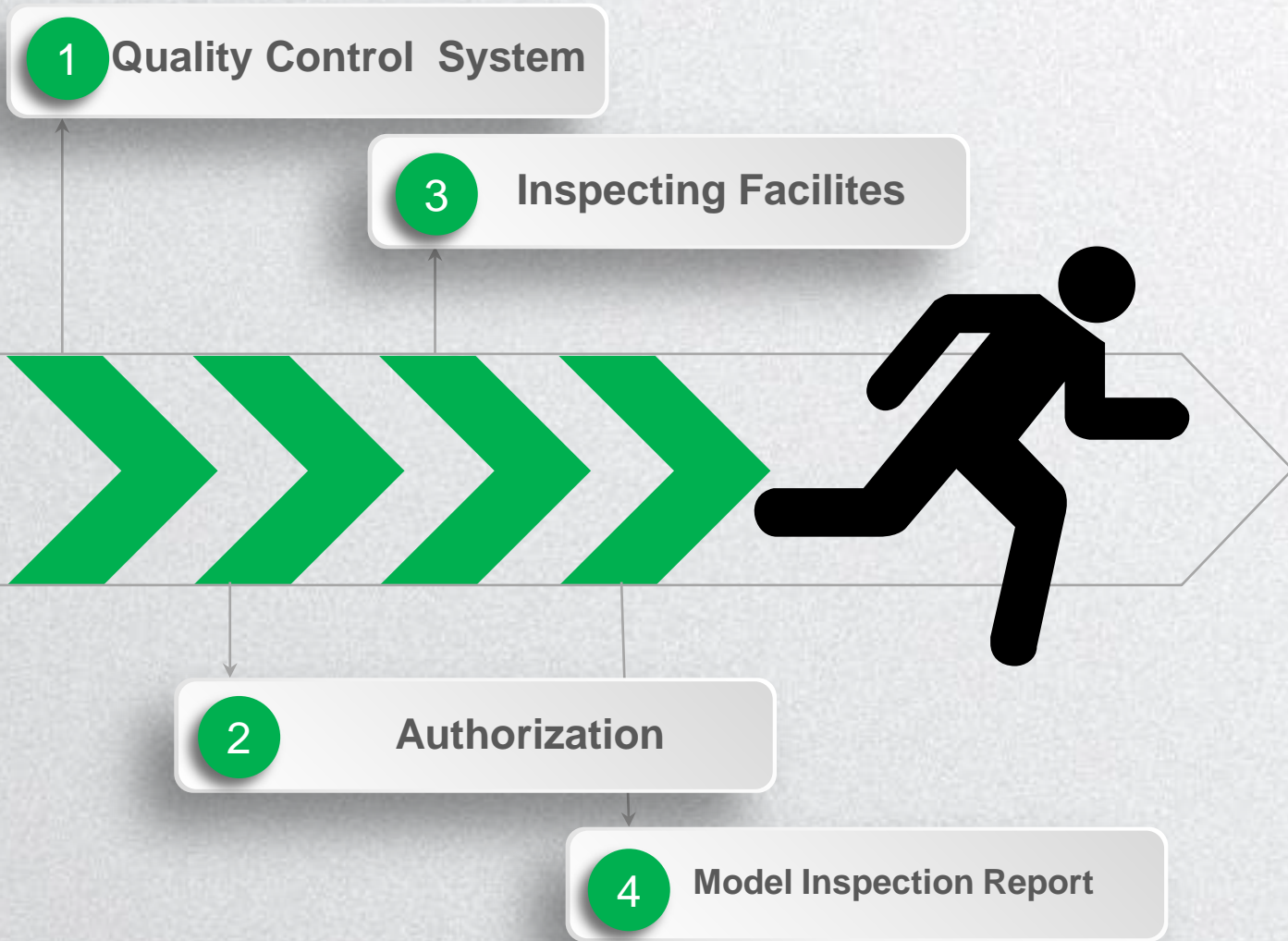
---

专业，让建筑更安全

Professionalism makes buildings more secure



# Quality Control



QMS



# 质量管理体系认证证书

证书编号: 31624Q10383R1M

兹证明

河北路泽新材料科技有限公司

统一社会信用代码: 91131102MA08HYGP6E

注册地址: 衡水市冀州区高新技术产业开发区南区迎宾路南侧纬一路东侧 邮编: 053010

经营地址: 河北省衡水市高新区北方工业基地迎宾大街10号 邮编: 053010

质量管理体系符合

GB/T 19001-2016/ISO 9001:2015 标准的要求

该体系认证所覆盖的范围

建筑减震支座、屈曲约束支撑、阻尼器、摩擦摆、板式橡胶支座、盆式橡胶支座、球型钢支座的生产; 伸缩缝、止水带、铅垫板的销售

初次发证日期: 2022年05月18日 本次发证日期: 2024年06月11日 证书有效日期: 2027年06月10日

获证组织需每年接受监督审核且满足要求, 证书方可继续有效  
认证证书有效性核实请登录下列网站或扫描二维码  
国家认证认可监督管理委员会网站 [cx.cnca.cn](http://cx.cnca.cn)



签发人:



中国认可  
国际互认  
管理体系  
MANAGEMENT SYSTEM  
CNAS C265-M

华生原检测认证中心(北京)有限公司

中心地址: 北京市朝阳区北苑路13号院1号楼7层B单元709

中心网站: [www.china-eoc.org](http://www.china-eoc.org) 电话: 010-52421856



# QUALITY MANAGEMENT SYSTEM CERTIFICATE

No. 31624Q10383R1M

Awarded to

Hebei Luze New Material Technology Co., Ltd

Unified social credit code:91131102MA08HYGP6E

Registration Add:No. 10 Yingbin street, north industrial base, high tech Zone, Hengshui City, Hebei Province

Service Add: No. 10 Yingbin street, north industrial base, high tech Zone, Hengshui City, Hebei Province

The Quality Management System of the above organization has been assessed

**GB/T 19001-2016/ISO 9001:2015**

Scope of this management Certification

Production of building seismic isolation bearings, buckling restrained supports, dampers, friction pendulums, plate rubber bearings, basin rubber bearings, and spherical steel bearings; Sales of expansion joints, waterstops, and lead pads

Date of Issue: May 18th,2022

Date of suprvision: June 11th,2024

Valid until: June 10th,2027

The certificate is valid after annual supervision

Certificate query approach:

National certification and Accreditation Administration: [cx.cnca.cn](http://cx.cnca.cn)



General  
Manager:



中国认可  
国际互认  
管理体系  
MANAGEMENT SYSTEM  
CNAS C265-M

CEOC Testing & Certification Center (Beijing)Co.,Ltd.

Address:Room 709,Unit B,Building 1,Yard 13,Beiyuan Road,Chaoyang District,Beijing.

Website:[www.china-eoc.org](http://www.china-eoc.org) Phone:010-52421856



Certificate no.,,  
31624Q10383R1M

Issuing date:  
May 18th.2022

Valid until:  
June 10th.2027

Issuing Organization:  
CEOC

Quality Control System

Dynamic servo test and inspection machine for dampers.





## Inspecting Facilities



Dynamic servo pressure-shear testing machine for bearings.





# Authorization

## 生产授权证书

Production Authorization Certificate

发证日期: 2022年03月30日 证书编号: FHCC-CEST-HDR202217

根据交通运输行业标准《公路桥梁高阻尼隔震橡胶支座》和《科技成果授权及监管办法》的相关文件规定,在对你公司生产下述产品的检查中,各项指标均符合交通产品标准和技术质量要求,特颁发此生产授权证书。

公司名称: 河北路泽新材料科技有限公司  
 工厂地址: 河北省衡水市高新区北方工业基地迎宾大街10号  
 产品名称: HDR系列公路桥梁高阻尼隔震橡胶支座  
 有效日期: 2022.03.30-2023.03.29

授权模式: 生产授权+质量年审

中交第一公路勘察设计研究院有限公司  
CCCC FIRST HIGHWAY CONSULTANTS CO., LTD.

西安中交土木科技有限公司  
CCCC CIVIL ENGINEERING SCIENCE & TECHNOLOGY CO., LTD.

可经<http://app.vcivil.com>查询证书真伪

## 授权书

证书编号: KSGF-QLZZ-2201      LQZ(G)系列球型支座

兹授予河北路泽新材料科技有限公司为我公司公路桥梁LQZ(G)系列球型支座的生产使用单位。

授权区域: 贵州省。

授权期限: 2022年4月2日至2023年4月1日。

中标后签订合同,必须持有本次授权证书原件,否则授权无效。

授权方(盖章): 贵州省交通规划勘察设计研究院股份有限公司  
 授权日期: 2022年04月02日

## 生产授权证书

Production Authorization Certificate

发证日期: 2022年03月30日 证书编号: FHCC-CEST-LNR202217

根据交通运输行业标准《公路桥梁高阻尼隔震橡胶支座》和《科技成果授权及监管办法》的相关文件规定,在对你公司生产下述产品的检查中,各项指标均符合交通产品标准和技术质量要求,特颁发此生产授权证书。

公司名称: 河北路泽新材料科技有限公司  
 工厂地址: 河北省衡水市高新区北方工业基地迎宾大街10号  
 产品名称: LNR系列公路桥梁水平力分散型橡胶支座  
 有效日期: 2022.03.30-2023.03.29

授权模式: 生产授权+质量年审

中交第一公路勘察设计研究院有限公司  
CCCC FIRST HIGHWAY CONSULTANTS CO., LTD.

西安中交土木科技有限公司  
CCCC CIVIL ENGINEERING SCIENCE & TECHNOLOGY CO., LTD.

可经<http://app.vcivil.com>查询证书真伪

# Authorization



**中国交建**  
CHINA COMMUNICATIONS CONSTRUCTION

## 项目生产授权证书

Production Authorization Certificate

发证日期：2019年09月12日 证书编号：FHCC-CEST-1928

根据《科技成果授权及监管办法》相关规定，经审查，贵公司日常生产制造流程符合交通产品质量管控标准。特针对以下项目颁发生产授权证书：

公司名称：河北路泽新材料科技有限公司  
地址：河北省衡水市高新区北方工业基地迎宾大街10号  
项目名称：  
授权产品：HDR、LNR、JPZ桥梁支座

授权模式：生产授权+项目质量管控

西安中交土木科技有限公司  
CCCC CIVIL ENGINEERING SCIENCE & TECHNOLOGY CO., LTD.  
可经<http://www.ycivil.com>查询真伪



**中国铁建**  
CRCC

## 2022年物资合格供应商

QUALIFIED SUPPLIERS OF MATERIALS IN 2022

河北路泽新材料科技有限公司：

经审查，贵单位通过了中铁十五局集团有限公司2022年物资合格供应商资格审查，作为中铁十五局集团有限公司物资年度合格供应商。  
特颁发此证书。

证书有效期：即日起至2023年2月28日  
证书编号：CRCC15G2022030804（防水材料）

中铁十五局集团有限公司  
物资设备集中采购中心  
2022年2月10日



**中国铁建**  
CRCC

## 2021年物资合格供应商

河北路泽新材料科技有限公司：

经评审，贵单位通过了中铁十五局集团有限公司2021年物资合格供应商招募，作为中铁十五局集团有限公司物资年度合格供应商。  
特颁发此证书。

证书有效期：2022年5月31日  
证书编号：CRCC15G2021030803（支座）  
CRCC15G2021030805（伸缩缝）

中铁十五局集团有限公司  
物资设备集中采购中心  
2022年2月10日

# Model Inspection Report



**MA** 北京城安建设工程检测有限公司  
 150101060007  
 数据有效期至 2021.09.07  
 BEIJING CHENG'AN CONSTRUCTION PROJECT  
 INSPECTION CO.,LTD

## 检测报告

DETECTING AND ANALYZING REPORT

项目编号: CA/C/ZNQ-2021-012  
 SERIES NUMBER  
 项目名称: 屈曲约束耗能支撑力学性能测试  
 PROJECT NAME  
 委托单位: 中安城投建设有限公司  
 ENTRUSTING UNIT  
 检测类别: 委托检测  
 DETECTING TYPE  
 检测单位: 北京城安建设工程检测有限公司  
 DETECTION UNIT  
 报告发送日期: 2021年7月27日  
 REPORTING DATE

地址: 北京市北京经济技术开发区地盛北街1号院31号楼2层205室  
 Address: Room 205, F2, Building No.31, No1 Dishengbei Street, Economic and Technological  
 Development Zone, Beijing City  
 电话: 010-6027 3283  
 Tel: 010-6027 3283  
 电子邮件: occupyheart@126.com  
 E-mail: occupyheart@126.com  
 传真: 010-6027 3283  
 Fax: 010-6027 3283  
 邮编: 100176  
 Postcode: 100176



报告编号	XJGZ-2022-X00
委托编号	XJGZ-2022-X00



## 检验报告

报告编号: A11350F202110172

产品名称: 板式橡胶支座

委托单位: 河北路泽新材料科技有限公司

检验类别: 型式检验



国家工程橡胶产品质量检验检测中心(河北)  
 恒为检验检测认证(河北)集团有限公司

防伪码: 82V2Z4



## 型式检验报告

试件名称: 黏滞阻尼器(VFD)  
 试件型号: VFD1000kNx100  
 委托单位: 河北路泽新材料科技有限公司  
 检验类别: 委托检验

新疆减隔震工程技术研究院(有限公司)



## 检验报告

报告编号: A34915F202204150

产品名称: 板式支座

委托单位: 中交二航院山东LNG项目工程码头工程项目经理部

检验类别: 委托检验



国家工程橡胶产品质量检验检测中心(河北)  
 恒为检验检测认证(河北)集团有限公司



防伪码: 2D04JJ



# Inspecting Capacity

Rubber material Appearance testing

Slow testing

Mechanical properties

Dynamic testing

Overloading test

Functional Testing



04



# Achievement show

---

专业，让建筑更安全

**Professionalism** makes buildings more secure



# Achievement show

Haikou Meilan International Airport





## Achievement show

Shaanxi Olympic Sports Center Gymnasium





# Achievement show

Exhibition Center of Northeast Asia International Machinery City





# Achievement show



Applications on bridges and roads.



# Contact with us

# 专业, 让建筑更安全

Professionalism makes buildings more secure





# Contact with us



**Henley Wang**

Mp.86-15131816390( wechat & whatsapp)

Email: [henleywang@zohomail.com](mailto:henleywang@zohomail.com)

Address: Yingbin Road, High-tech Industrial Development Zone,  
Jizhou District, Hengshui, Hebei Province-053200. China.



# Thanks

**Welcome you to visit our factory**